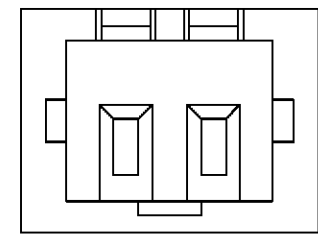
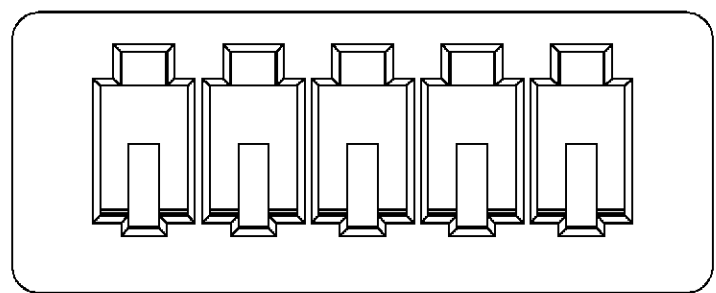
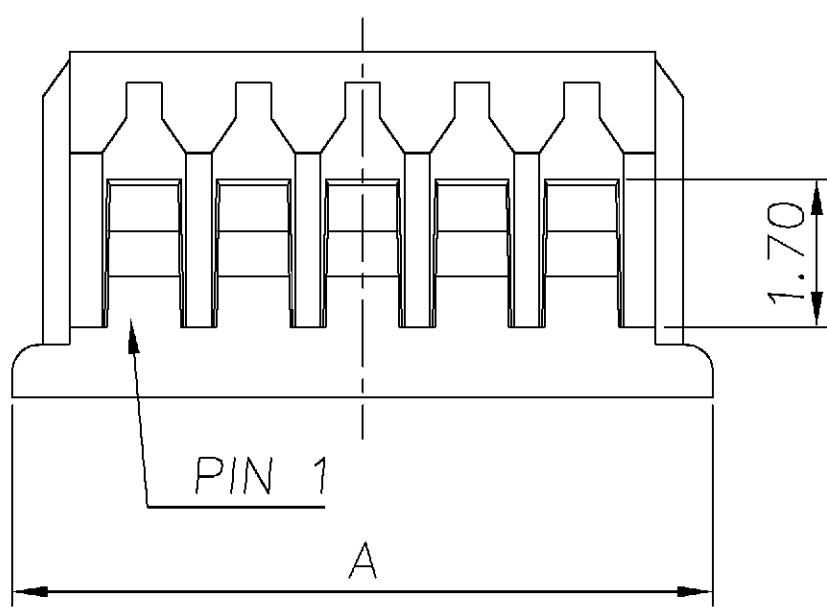
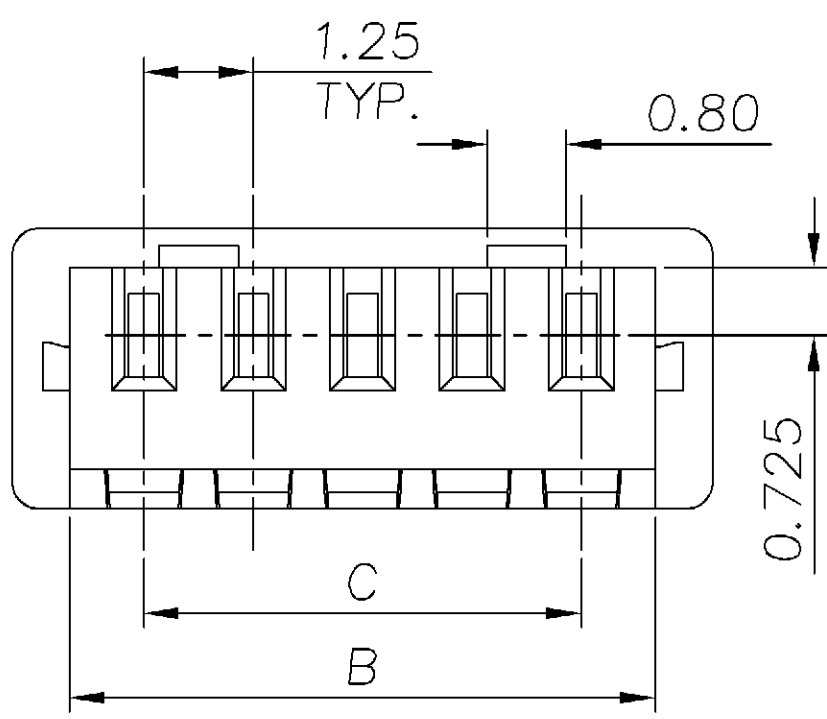


NUMBER  
C-440146

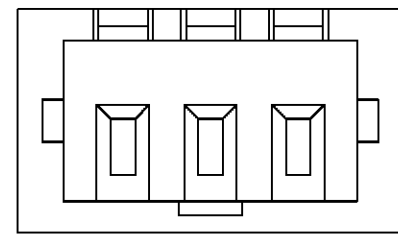
3RD ANGLE PROJECTION

METRIC

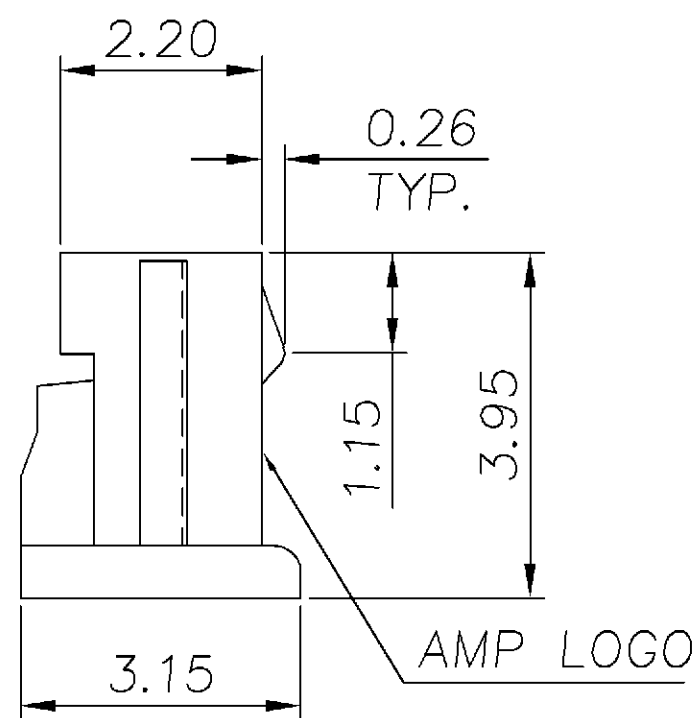
THIS INFORMATION IS CONFIDENTIAL AND IS DISCLOSED TO YOU ON CONDITION THAT NO FURTHER DISCLOSURE IS MADE BY YOU TO OTHER THAN AMP PERSONNEL WITHOUT WRITTEN AUTHORIZATION FROM AMP (TAIWAN) LTD. DIMENSIONS IN MILLIMETERS. DO NOT SCALE PRINT.



2 POS.



3 POS.



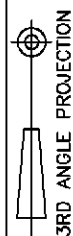
NOTE:  
 1. MATERIAL:  
 HOUSING: THERMOPLASTIC, UL 94V-0,  
 COLOR: NATURAL.  
 2. APPLY TERMINAL PART NO: X-440147-X.

15	20.50	19.20	17.50	1-440146-5
14	19.25	17.95	16.25	1-440146-4
13	18.00	16.70	15.00	1-440146-3
12	16.75	15.45	13.75	1-440146-2
11	15.50	14.20	12.50	1-440146-1
10	14.25	12.95	11.25	1-440146-0
9	13.00	11.70	10.00	440146-9
8	11.75	10.45	8.75	440146-8
7	10.50	9.20	7.50	440146-7
6	9.25	7.95	6.25	440146-6
5	8.00	6.70	5.00	440146-5
4	6.75	5.45	3.75	440146-4
3	5.50	4.20	2.50	440146-3
2	4.25	2.95	1.25	440146-2
POS.	DIMENSIONS			PART NUMBER

B	REVISED DRAWING	FZ00-0167-03	OH AW	31JUL 2003
A	REVISED	FZ00-0166-02	OH JC	26JUL 2002
O	FIRST RELEASED	FZ00-0078-02	OH JC	04APR 2002
LTR	REVISION RECORD	ECN	DWN CHK	DATE

DIMENSION : 0 PLC ± 1 PLC ±0.15 2 PLC ±0.10 3 PLC ±0.05 ANGLES ±3'		DWN O. HU 29-JUL-2003	TYCO HOLDINGS (BERMUDA) VII LTD. TAIWAN BRANCH	
MATERIAL SEE NOTE		CHK A. WU 29-JUL-2003	NAME J. CHENG 29-JUL-2003	
FINISH SEE NOTE		APVD J. CHENG 29-JUL-2003	PRODUCT SPEC 108-57225	
		QUALIFICATION TEST REPORT 501-57229	LOC DW	SIZE A <sub>3</sub>
		WEIGHT	DRAWING NO C-440146	REV B
			SCALE --	SHEET 1 OF 2

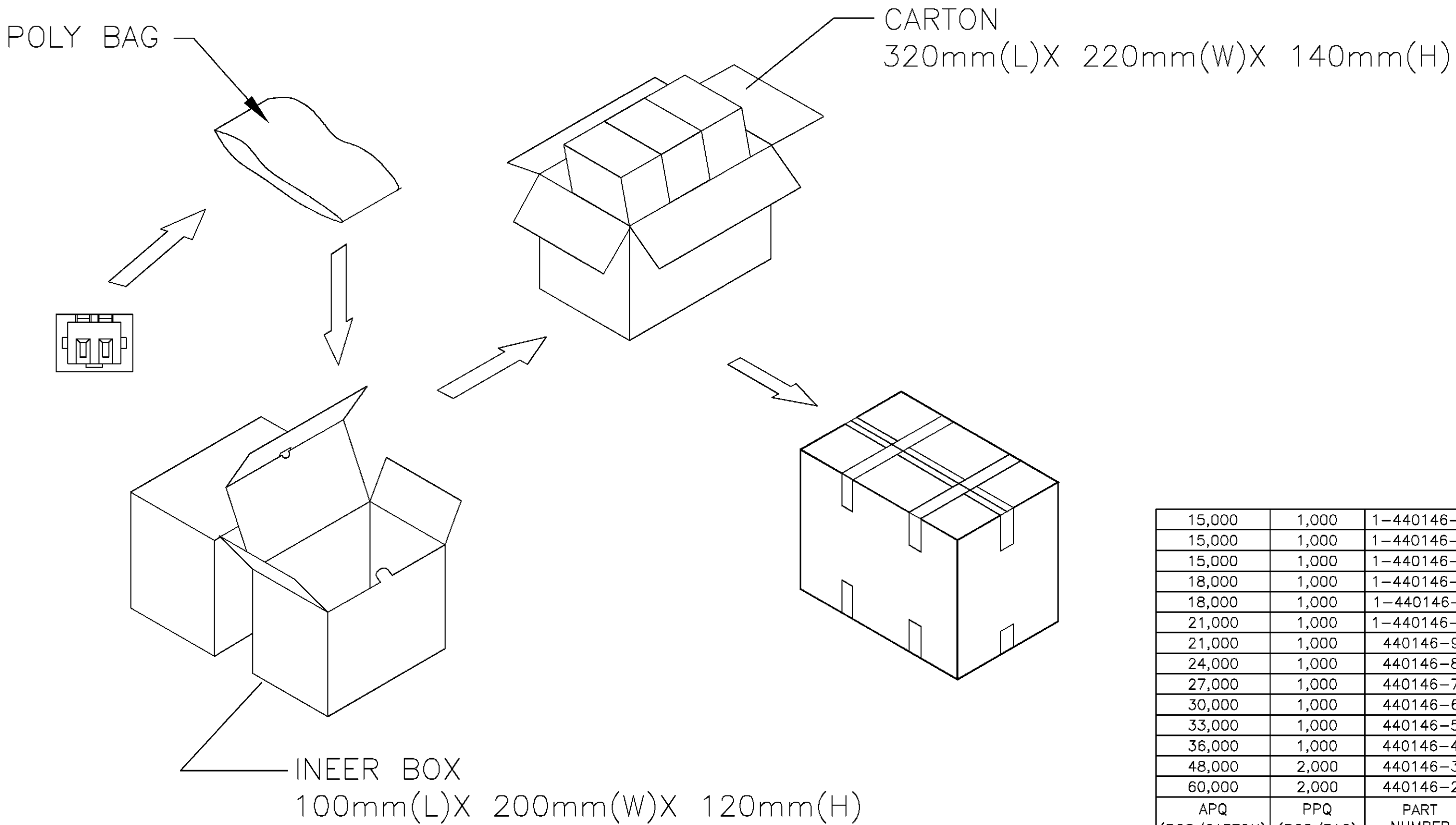
NUMBER  
C-440146



METRIC

THIS INFORMATION IS CONFIDENTIAL AND IS DISCLOSED TO YOU ON CONDITION THAT NO FURTHER DISCLOSURE IS MADE BY YOU TO OTHER THAN AMP PERSONNEL WITHOUT WRITTEN AUTHORIZATION FROM AMP (TAIWAN) LTD. DIMENSIONS IN MILLIMETERS. DO NOT SCALE PRINT.

PRINT  
DW



15,000	1,000	1-440146-5
15,000	1,000	1-440146-4
15,000	1,000	1-440146-3
18,000	1,000	1-440146-2
18,000	1,000	1-440146-1
21,000	1,000	1-440146-0
21,000	1,000	440146-9
24,000	1,000	440146-8
27,000	1,000	440146-7
30,000	1,000	440146-6
33,000	1,000	440146-5
36,000	1,000	440146-4
48,000	2,000	440146-3
60,000	2,000	440146-2
APQ (PCS/CARTON)	PPQ (PCS/BAG)	PART NUMBER

DIMENSION : 0 PLC ± 1 PLC ±0.15 2 PLC ±0.10 3 PLC ±0.05 ANGLES ±3'	DWN	O. HU 29-JUL-2003	TYCO HOLDINGS (BERMUDA) VII LTD. TAIWAN BRANCH		
	CHK	A. WU 29-JUL-2003			
MATERIAL  SEE NOTE	APVD	J. CHENG 29-JUL-2003	NAME  WIRE TO BOARD SOCKET, HOUSING, 1.25 PITCH.		
	PRODUCT SPEC		LOC	SIZE	DRAWING NO
FINISH  SEE NOTE	QUALIFICATION TEST REPORT		DW	A <sub>3</sub>	C-440146
	WEIGHT		SCALE	SHEET	
			--		2 OF 2

LTR	SEE SHEET 1.	ECN	DWN	CHK	DATE
	REVISION RECORD				